

# USB-AES MATCHBOX™

## USB<>AES/EBU PROFESSIONAL DIGITAL AUDIO INTERFACE

### Product Description

The **USB-AES Matchbox** is a professional digital audio interface and digital-to-analog converter. The unit provides AES/EBU digital audio input and output from any computer that supports USB. The USB-AES Matchbox is ideal for broadcast stations, commercial sound, and any application where AES/EBU digital audio needs to interface with a computer. The USB-AES Matchbox is USB powered.

The USB-AES Matchbox connects to the computer via a USB port. Any O/S that supports USB 1.1 or higher can be used; no special driver or software is needed. The unit provides AES/EBU professional digital audio input and output via XLR connectors. Sample rates of 48.0, 44.1, and 32.0 kHz are supported with 16 bit resolution. The AES/EBU input and output are balanced and transformer isolated, providing galvanic isolation to eliminate any chance of hum or noise caused by ground loops. Auxiliary S/PDIF unbalanced digital I/O allows use with consumer digital equipment.

The USB-AES Matchbox also provides professional analog line level outputs on

XLR connectors. The analog output, utilizing a Burr-Brown 8X oversampled D/A converter and advanced filtering technology, produces stellar performance that outperforms virtually any sound card and often surpasses the audio quality of many 24 bit systems. The analog output levels are adjustable with Output Level trimmers recessed behind the front panel. The internal switch-mode 30-volt supply ensures 20db of headroom above normal operating level.

Other useful features include Output Confirm LEDs that indicate the presence of output audio, and a Speaker output for use with amplified monitor speakers. The Speaker output can be muted with an external contact closure via the Mute port. The steel chassis provides effective RF and EMI shielding. The unit is compliant with the most recent AES grounding standard.

The USB-AES Matchbox is 1/3 rack width, and can be rack-mounted using the optional rack-mount shelf, or cabinet or wall mounted using optional wall mounting brackets.



Front

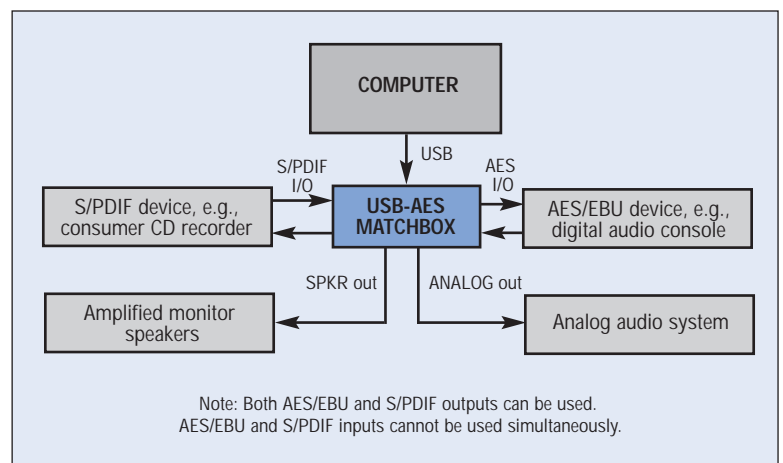


Back

### Technical Specifications

USB Compliance	USB 1.1 or higher
Sample rates	48.0 kHz, 44.1 kHz, 32.0 kHz
Bit depth	16 bit Delta-Sigma DAC
AES I/O	110 ohms, transformer bal
S/PDIF I/O	75 ohms, unbalanced
Analog Output	Stereo, bal, Lo-Z, +24 dBu max
Analog Level	+4 dBu = -15 dBfs nominal
Monitor Output	Stereo, unbal, for amplified speakers
Monitor Level	-10 dBv = -15 dBfs nominal
Mute	Ext. closure mutes Monitor output
Power	USB powered
Approvals	FCC Class A, Part 15 compliant; CE
Physical	5.7" w X 1.7"h X 6.0"d, 3 lbs

### Typical Application



No Wall-Warts!



Rack Mountable

Technical specifications subject to change without notification.

503 Key Vista Drive  
Sierra Madre, CA 91024  
TEL 626.355.3656  
FAX 626.355.0077

[www.henryeng.com](http://www.henryeng.com)

